

VILLAGE OF LAKE PLACID TRI-AXLE DUMP

SPECIFICATION PROPOSAL

	Data Code	Description	Weight Front	Weight Rear
Price Level				
	PRL-20T	WESTERN STAR 4700 PRL-20T (EFF:04/30/19)		
Data Version				
	DRL-027	SPECPRO21 DATA RELEASE VER 027		
Vehicle Configuration				
	001-450	WESTERN STAR 4700 SET-FORWARD FRONT AXLE CHASSIS	9,100	6,570
	002-003	SET FORWARD AXLE - TRUCK		
	019-004	STRAIGHT TRUCK PROVISION, NON-TOWING		
	003-001	LH PRIMARY STEERING LOCATION		
General Service				
N	AA1-003	TRUCK/TRAILER CONFIGURATION		
	AA6-001	DOMICILED, USA 50 STATES (INCLUDING CALIFORNIA AND CARB OPT-IN STATES)		
	A85-011	CONSTRUCTION SERVICE		
	A84-1CO	CONSTRUCTION BUSINESS SEGMENT		
	AA4-003	DRY BULK COMMODITY		
	AA5-002	TERRAIN/DUTY: 100% (ALL) OF THE TIME, IN TRANSIT, IS SPENT ON PAVED ROADS		
	AB1-008	MAXIMUM 8% EXPECTED GRADE		
	AB5-001	SMOOTH CONCRETE OR ASPHALT PAVEMENT - MOST SEVERE IN-TRANSIT (BETWEEN SITES) ROAD SURFACE		
	995-1A5	WESTERN STAR VOCATIONAL WARRANTY		
	A66-99D	EXPECTED FRONT AXLE(S) LOAD : 18000.0 lbs		
	A68-99D	EXPECTED REAR DRIVE AXLE(S) LOAD : 46000.0 lbs		

Data Code	Description	Weight Front	Weight Rear
A67-99D	EXPECTED PUSHER AXLE(S) LOAD : 14000.0 lbs		
A69-99D	EXPECTED TAG AXLE(S) LOAD : 0.0 lbs		
A63-99D	EXPECTED GROSS VEHICLE WEIGHT CAPACITY : 78000.0 lbs		
A70-99D	EXPECTED GROSS COMBINATION WEIGHT : 90000.0 lbs		

Truck Service

AA3-004	END DUMP BODY		
A88-99D	EXPECTED TRUCK BODY LENGTH : 0.0 ft		

Tractor Service

AA2-005	FLATBED TRAILER		
AH6-001	SINGLE (1) TRAILER		

Engine

101-2XY	DETROIT DD13 12.8L 505 HP @ 1625 RPM, 1900 GOV RPM, 1850 LB/FT @ 975 RPM		
---------	--	--	--

Electronic Parameters

79A-065	65 MPH ROAD SPEED LIMIT		
79B-000	CRUISE CONTROL SPEED LIMIT SAME AS ROAD SPEED LIMIT		
79G-006	5 MINUTES IDLE SHUTDOWN WITH CLUTCH AND SERVICE BRAKE OVERRIDE		
79K-006	PTO MODE ENGINE RPM LIMIT - 1000 RPM		
79M-002	PTO MODE BRAKE OVERRIDE - SERVICE BRAKE APPLIED OR PARK BRAKE NOT APPLIED		
79P-001	PTO RPM WITH CRUISE SET SWITCH - 600 RPM		
79Q-001	PTO RPM WITH CRUISE RESUME SWITCH - 600 RPM		
79S-002	PTO MODE CANCEL VEHICLE SPEED - 6 MPH		
79T-001	PTO MODE RPM INCREMENT - 25 RPM		
79U-001	PTO GOVERNOR RAMP RATE - 25 RPM PER SECOND		
79W-001	ONE REMOTE PTO SPEED		
79X-005	PTO SPEED 1 SETTING - 900 RPM		
80D-001	SOFT CRUISE CONTROL ENABLED		
80G-001	PTO MINIMUM RPM - 600		
80K-001	TEMPERATURE OVERRIDE BELOW 20 DEGREES AND ABOVE 70 DEGREES AMBIENT TEMPERATURE		

Engine Equipment

99C-017	2016-2019 ONBOARD DIAGNOSTICS/2010 EPA/CARB/FINAL GHG17 CONFIGURATION		
---------	---	--	--

Data Code	Description	Weight Front	Weight Rear
99D-011	2008 CARB EMISSION CERTIFICATION - CLEAN IDLE (INCLUDES 6X4 INCH LABEL ON LOWER FORWARD CORNER OF DRIVER DOOR)		
13E-001	STANDARD OIL PAN		
105-001	ENGINE MOUNTED OIL CHECK AND FILL		
133-004	ONE PIECE VALVE COVER		
014-1B5	SIDE OF HOOD AIR INTAKE WITH DONALDSON HIGH CAPACITY AIR CLEANER WITH SAFETY ELEMENT, FIREWALL MOUNTED		
124-1D7	DR 12V 160 AMP 28-SI QUADRAMOUNT PAD ALTERNATOR WITH REMOTE BATTERY VOLT SENSE		
292-216	(3) DTNA GENUINE, AGM STARTING AND CYCLING, MIN 2190CCA, 570RC, THREADED STUD BATTERIES		
290-1AC	PASSENGER SEAT BATTERY BOX VENTED TO OUTSIDE OF CAB		
282-013	BATTERY BOX MOUNTED UNDER PASSENGER SEAT		
291-017	WIRE GROUND RETURN FOR BATTERY CABLES WITH ADDITIONAL FRAME GROUND RETURN		
289-006	PLASTIC BATTERY BOX COVER		
N 293-072	POSITIVE LOAD DISCONNECT WITH DASH MOUNTED CONTROL SWITCH	8	
N 306-019	LOW VOLTAGE BATTERY DISCONNECT AT 12.3 VOLTS FOR ISOLATED CIRCUITS WITH LOCAL ALARM		
107-044	BW MODEL BA-921 19.0 CFM SINGLE CYLINDER AIR COMPRESSOR WITH SAFETY VALVE		
131-013	AIR COMPRESSOR DISCHARGE LINE		
152-041	ELECTRONIC ENGINE INTEGRAL SHUTDOWN PROTECTION SYSTEM		
128-002	JACOBS COMPRESSION BRAKE		
016-1C2	RH OUTBOARD UNDER STEP MOUNTED HORIZONTAL AFTERTREATMENT SYSTEM ASSEMBLY WITH RH B-PILLAR MOUNTED VERTICAL TAILPIPE		
28F-002	ENGINE AFTERTREATMENT DEVICE, AUTOMATIC OVER THE ROAD REGENERATION AND DASH MOUNTED REGENERATION REQUEST SWITCH		
239-038	11 FOOT 06 INCH (138 INCH+0/-5.9 INCH) EXHAUST SYSTEM HEIGHT		
233-017	STANDARD CURVE BRIGHT UPPER STACK(S)		
237-1CR	RH CURVED VERTICAL TAILPIPE B-PILLAR MOUNTED ROUTED FROM STEP		
23U-002	13 GALLON DIESEL EXHAUST FLUID TANK	35	10

Data Code	Description	Weight Front	Weight Rear
30N-003	100 PERCENT DIESEL EXHAUST FLUID FILL		
23Y-001	STANDARD DIESEL EXHAUST FLUID PUMP MOUNTING		
23Z-001	POLISHED ALUMINUM DIAMOND PLATE DIESEL EXHAUST FLUID TANK COVER	20	10
43X-002	LH MEDIUM DUTY STANDARD DIESEL EXHAUST FLUID TANK LOCATION		
242-001	STAINLESS STEEL AFTERTREATMENT DEVICE/MUFFLER/TAILPIPE SHIELD		
273-036	BORG WARNER (KYSOR) REAR AIR ON/OFF ENGINE FAN CLUTCH		
276-001	AUTOMATIC FAN CONTROL WITHOUT DASH SWITCH, NON ENGINE MOUNTED		
110-068	DDC SUPPLIED ENGINE MOUNTED FUEL FILTER/FUEL WATER SEPARATOR WITH WATER-IN-FUEL INDICATOR		
118-001	FULL FLOW OIL FILTER		
266-057	1500 SQUARE INCH ALUMINUM RADIATOR		
267-006	MOUNTING FOR FIREWALL MOUNTED SURGE TANK		
103-039	ANTIFREEZE TO -34F, OAT (NITRITE AND SILICATE FREE) EXTENDED LIFE COOLANT		
171-007	GATES BLUE STRIPE COOLANT HOSES OR EQUIVALENT		
172-001	CONSTANT TENSION HOSE CLAMPS FOR COOLANT HOSES		
270-023	HDEP FIXED RATIO COOLANT PUMP AND RADIATOR DRAIN VALVE		
168-002	LOWER RADIATOR GUARD		
138-005	PHILLIPS-TEMRO 1500 WATT/115 VOLT BLOCK HEATER		
166-005	PHILLIPS-TEMRO 300 WATT/115 VOLT OIL PREHEATER		
140-022	CHROME ENGINE HEATER RECEPTACLE MOUNTED UNDER LH DOOR		
134-001	ALUMINUM FLYWHEEL HOUSING		
155-075	MITSUBISHI 12V MOD 3.175-DP60 STARTER WITH INTEGRATED MAGNETIC SWITCH		

Transmission

342-1NC	ALLISON 4700 RDS AUTOMATIC TRANSMISSION WITH PTO PROVISION	390	150
---------	--	-----	-----

Transmission Equipment

Data Code	Description	Weight Front	Weight Rear
343-339	ALLISON VOCATIONAL PACKAGE 223 - AVAILABLE ON 3000/4000 PRODUCT FAMILIES WITH VOCATIONAL MODELS RDS, HS, MH AND TRV		
84B-012	ALLISON VOCATIONAL RATING FOR ON/OFF HIGHWAY APPLICATIONS AVAILABLE WITH ALL PRODUCT FAMILIES		
84C-039	PRIMARY MODE GEARS, LOWEST GEAR 1, START GEAR 2, HIGHEST GEAR 7, AVAILABLE FOR 4700/4800 PRODUCT FAMILIES ONLY		
84D-039	SECONDARY MODE GEARS, LOWEST GEAR 1, START GEAR 2, HIGHEST GEAR 7, AVAILABLE FOR 4700 PRODUCT FAMILIES ONLY		
84E-013	S1 PERFORMANCE PRIMARY SHIFT SCHEDULE, AVAILABLE FOR 3000/4000 PRODUCT FAMILIES ONLY		
84F-012	S1 PERFORMANCE SECONDARY SHIFT SCHEDULE, AVAILABLE FOR 3000/4000 PRODUCT FAMILIES ONLY		
84G-009	1800 RPM PRIMARY MODE SHIFT SPEED		
84H-009	1800 RPM SECONDARY MODE SHIFT SPEED		
N 34C-011	ELECTRONIC TRANSMISSION WIRING TO CUSTOMER INTERFACE CONNECTOR		
362-823	CUSTOMER INSTALLED CHELSEA 280 SERIES PTO		
363-001	PTO MOUNTING, LH SIDE OF MAIN TRANSMISSION		
341-018	MAGNETIC PLUGS, ENGINE DRAIN, TRANSMISSION DRAIN, AXLE(S) FILL AND DRAIN		
345-003	PUSH BUTTON ELECTRONIC SHIFT CONTROL, DASH MOUNTED		
97G-004	TRANSMISSION PROGNOSTICS - ENABLED 2013		
370-011	WATER TO OIL TRANSMISSION COOLER, FRAME MOUNTED		
346-003	TRANSMISSION OIL CHECK AND FILL WITH ELECTRONIC OIL LEVEL CHECK		
35T-001	SYNTHETIC TRANSMISSION FLUID (TES-295 COMPLIANT)		

Front Axle and Equipment

400-1BB	DETROIT DA-F-20.0-5 20,000# FL1 71.0 KPI/3.74 DROP SINGLE FRONT AXLE
402-030	MERITOR 16.5X6 Q+ CAST SPIDER CAM FRONT BRAKES, DOUBLE ANCHOR, FABRICATED SHOES
403-002	NON-ASBESTOS FRONT BRAKE LINING
419-023	CONMET CAST IRON FRONT BRAKE DRUMS

Data Code	Description	Weight Front	Weight Rear
427-001	FRONT BRAKE DUST SHIELDS	5	
409-006	FRONT OIL SEALS		
408-001	VENTED FRONT HUB CAPS WITH WINDOW, CENTER AND SIDE PLUGS - OIL		
416-022	STANDARD SPINDLE NUTS FOR ALL AXLES		
405-003	HALDEX AUTOMATIC FRONT SLACK ADJUSTERS		
406-001	STANDARD KING PIN BUSHINGS		
536-055	TRW THP-60 POWER STEERING WITH RCH45 AUXILIARY GEAR	90	
539-003	POWER STEERING PUMP		
534-003	4 QUART POWER STEERING RESERVOIR		
533-001	OIL/AIR POWER STEERING COOLER		
40T-003	SYNTHETIC 40/50W FRONT AXLE LUBE		
Front Suspension			
620-025	20,000# TAPERLEAF FRONT SUSPENSION	-60	
619-005	MAINTENANCE FREE RUBBER BUSHINGS - FRONT SUSPENSION		
410-001	FRONT SHOCK ABSORBERS		
Rear Axle and Equipment			
420-103	RT-46-160 46,000# R-SERIES TANDEM REAR AXLE		470
421-430	4.30 REAR AXLE RATIO		
424-001	IRON REAR AXLE CARRIER WITH STANDARD AXLE HOUSING		
386-075	MXL 18T MERITOR EXTENDED LUBE MAIN DRIVELINE WITH HALF ROUND YOKES	40	40
388-073	MXL 17T MERITOR EXTENDED LUBE INTERAXLE DRIVELINE WITH HALF ROUND YOKES		
452-006	DRIVER CONTROLLED TRACTION DIFFERENTIAL - BOTH TANDEM REAR AXLES		30
878-022	(1) INTERAXLE LOCK VALVE, (1) DRIVER CONTROLLED DIFFERENTIAL LOCK FORWARD-REAR AXLE VALVE AND (1) REAR-REAR AXLE VALVE		
87A-005	INDICATOR LIGHT FOR EACH INTERAXLE LOCKOUT SWITCH		
87B-008	INDICATOR LIGHT FOR EACH DRIVER CONTROLLED TRACTION DEVICE SWITCH		
423-019	MERITOR 16.5X8.62 Q+ CAST SPIDER CAM REAR BRAKES, DOUBLE ANCHOR, FABRICATED SHOES		
433-002	NON-ASBESTOS REAR BRAKE LINING		

Data Code	Description	Weight Front	Weight Rear
434-011	BRAKE CAMS AND CHAMBERS ON FORWARD SIDE OF DRIVE AXLE(S)		
451-023	CONMET CAST IRON REAR BRAKE DRUMS		
425-002	REAR BRAKE DUST SHIELDS		10
440-006	REAR OIL SEALS		
426-1B6	BENDIX EVERSURE LONGSTROKE HEAVY DUTY 30/36 2-DRIVE AXLES SPRING PARKING CHAMBERS		
428-003	HALDEX AUTOMATIC REAR SLACK ADJUSTERS		
41T-002	CURRENT AVAILABLE SYNTHETIC 75W-90 REAR AXLE LUBE		
Rear Suspension			
622-286	TUFTRAC 46,000# REAR SPRING SUSPENSION		490
621-055	TUFTRAC STANDARD RIDE HEIGHT		
431-003	AXLE CLAMPING GROUP		
624-028	56 INCH AXLE SPACING		
623-006	FORE/AFT AND TRANSVERSE CONTROL RODS		
439-001	REAR SHOCK ABSORBERS - ONE AXLE		
Pusher / Tag Equipment			
035-1A1	HENDRICKSON SC20 COMPOSITITE 20,000# AIR LIFT STEERABLE PUSHER SUSPENSION, 16.5X6 BRAKES AND FL1 AXLE	650	1,205
443-1D0	HENDRICKSON SC20/SCO20 20,000# FL1 STEERABLE 16.5X6 BRAKE INTEGRAL PUSHER AXLE		
874-015	(1) DASH VALVE AND (1) GAUGE FOR SINGLE LIFT AXLE		
87F-005	REVERSE LIFT AXLE WIRING WITH LAST STATE RETENTION WITH IGNITION OFF		
896-014	(1)REGULATOR MOUNTED ON CHASSIS FOR SINGLE LIFT AXLE		
456-1AF	HENDRICKSON 16.5X6 CAST SPIDER CAM PUSHER/TAG BRAKES, DOUBLE ANCHOR, FABRICATED SHOES		
457-002	NON-ASBESTOS PUSHER/TAG BRAKE LINING		
448-023	CONMET CAST IRON PUSHER/TAG BRAKE DRUMS		
442-016	PUSHER/TAG OIL SEALS		
444-001	VENTED PUSHER/TAG HUB CAPS WITH WINDOW, CENTER AND SIDE PLUGS - OIL		
445-075	HALDEX LONGSTROKE PUSHER/TAG AXLE SERVICE CHAMBERS		
458-003	HALDEX AUTOMATIC PUSHER/TAG SLACK ADJUSTERS		

Data Code	Description	Weight Front	Weight Rear
626-1E1	HENDRICKSON SC20 COMPOSITITE 20,000# STEERABLE AIR LIFT PUSHER SUSPENSION		
627-001	52 INCH AXLE SPACING PUSHER/TAG		
Brake System			
490-100	WABCO 4S/4M ABS		
871-001	REINFORCED NYLON, FABRIC BRAID AND WIRE BRAID CHASSIS AIR LINES		
904-001	FIBER BRAID PARKING BRAKE HOSE		
412-001	STANDARD BRAKE SYSTEM VALVES		
432-014	(2) RELAY VALVES; ONE 5-8 PSI FOR TANDEM AXLE AND ONE 3-4.5 PSI CRACK FOR PUSHER/TAG		
480-086	BW AD-9SI BRAKE LINE AIR DRYER WITH HEATER		
483-003	BENDIX OIL COALESCING FILTER FOR AIR DRYER		
479-005	AIR DRYER MOUNTED INBOARD ON RH RAIL		
460-001	STEEL AIR BRAKE RESERVOIRS		
477-001	PULL CABLE ON WET TANK, PETCOCK DRAIN VALVES ON ALL OTHER AIR TANKS		
Wheelbase & Frame			
545-580	5800MM (228 INCH) WHEELBASE		
546-1B2	1/2X3.64X11-7/8 INCH STEEL FRAME (12.7MMX301.6MM/0.5X11.88 INCH) 120KSI	540	210
552-009	3050MM (120 INCH) REAR FRAME OVERHANG		
55W-011	FRAME OVERHANG RANGE: 111 INCH TO 120 INCH	-100	420
AC8-99D	CALC'D BACK OF CAB TO REAR SUSP C/L (CA) : 147.13 in		
AE8-99D	CALCULATED EFFECTIVE BACK OF CAB TO REAR SUSPENSION C/L (CA) : 144.13 in		
AE4-99D	CALC'D FRAME LENGTH - OVERALL : 365.42		
ZF1-99D	FRAME HEIGHT TOP FRONT UNLADEN : 44.71 in		
ZF2-99D	FRAME HEIGHT TOP FRONT LADEN : 41.73 in		
ZF3-99D	FRAME HEIGHT TOP REAR UNLADEN : 45.73 in		
ZF4-99D	FRAME HEIGHT TOP REAR LADEN : 43.23 in		
FSS-0LH	CALCULATED FRAME SPACE LH SIDE : 14.26 in		
FSS-0RH	CALCULATED FRAME SPACE RH SIDE : 146.74 in		
AM6-99D	CALC'D SPACE AVAILABLE FOR DECKPLATE : 146.78 in		
553-001	SQUARE END OF FRAME		
559-001	STANDARD WEIGHT ENGINE CROSSMEMBER		

Data Code	Description	Weight Front	Weight Rear
561-001	STANDARD CROSSMEMBER BACK OF TRANSMISSION		
562-001	STANDARD MIDSHIP #1 CROSSMEMBER(S)		
572-001	STANDARD REARMOST CROSSMEMBER		
565-002	HEAVY DUTY SUSPENSION CROSSMEMBER		
568-001	STANDARD WEIGHT REAR SUSPENSION CROSSMEMBER		

Chassis Equipment

556-075	16 INCH CHROMED STEEL BUMPER		
558-033	REMOVABLE FRONT TOW HOOKS STORED ON THE CHASSIS FRAME	25	
574-001	BUMPER MOUNTING FOR SINGLE LICENSE PLATE		
586-015	FRONT ANTI-SPRAY CAB MOUNTED MUDFLAPS		
551-002	HUCK-SPIN ROUND COLLAR CHASSIS FASTENERS		
44Z-002	EXTERIOR HARNESSSES WRAPPED IN ABRASION TAPE		

Fuel Tanks

204-156	100 GALLON/378 LITER ALUMINUM FUEL TANK - LH	20	
218-006	25 INCH DIAMETER FUEL TANK(S)		
215-006	POLISHING OF FUEL/HYDRAULIC TANK(S) WITH POLISHED STAINLESS STEEL BANDS		
212-007	FUEL TANK(S) FORWARD		
664-002	POLISHED STEP FINISH		
205-002	CHROME FUEL TANK CAP(S)		
122-1K3	DAVCO 487 FUEL/WATER SEPARATOR WITH ESOC	15	
216-020	EQUIFLO INBOARD FUEL SYSTEM		
202-016	HIGH TEMPERATURE REINFORCED NYLON FUEL LINE		
221-008	FUEL COOLER MOUNTED LEFT HAND IN RAIL		

Tires

093-0TB	MICHELIN XZY-3 425/65R22.5 20 PLY RADIAL FRONT TIRES	196	
094-2D2	MICHELIN XDA5+ 11R24.5 16 PLY RADIAL REAR TIRES		256
095-0TB	MICHELIN XZY-3 425/65R22.5 20 PLY RADIAL PUSHER/TAG TIRES		196

Hubs

Data Code	Description	Weight Front	Weight Rear
418-060	CONMET PRESET PLUS PREMIUM IRON FRONT HUBS		
450-060	CONMET PRESET PLUS PREMIUM IRON REAR HUBS		
449-060	CONMET PRESET PLUS PREMIUM IRON PUSHER/TAG HUBS		
Wheels			
502-1H5	ALCOA LVL ONE 82462X 22.5X12.25 10-HUB PILOT 4.68 INSET 10-HAND ALUMINUM DISC FRONT WHEELS	-8	
505-358	ALCOA ULTRA ONE 98U63X 24.5X8.25 10-HUB PILOT ALUMINUM REAR WHEELS		-152
509-1H5	ALCOA LVL ONE 82462X 22.5X12.25 10-HUB PILOT 4.68 INSET 10-HAND ALUMINUM DISC PUSHER/TAG WHEELS		-8
524-001	POLISHED FRONT WHEELS; OUTSIDE ONLY		
525-001	POLISHED REAR WHEELS; OUTSIDE OF OUTER WHEELS ONLY		
526-001	POLISHED PUSHER/TAG WHEELS; OUTSIDE OF OUTER WHEEL ONLY		
496-011	FRONT WHEEL MOUNTING NUTS		
497-011	REAR WHEEL MOUNTING NUTS		
498-011	NYLON WHEEL GUARDS FRONT AND REAR ALL INTERFACES		
Cab Exterior			
	829-1A8	110 INCH BBC STEEL CONVENTIONAL CAB	
	82A-008	WESTERN STAR STAINLESS STEEL CAB SKIRT	
	650-044	AIR CAB MOUNTS WITH CHECK VALVE	
N	705-056	STAINLESS STEEL SILL PLATES WITH RACEWAY	5
	648-002	NONREMOVABLE BUGSCREEN MOUNTED BEHIND GRILLE	
	667-001	FRONT FENDERS	
	754-001	2 INCH FENDER EXTENSIONS	5
	678-034	LH AND RH EXTERIOR GRAB HANDLES WITH RUBBER INSERTS AND RH INTERIOR GRAB HANDLE MOUNTED TO A POST	
	646-008	STATIONARY BRIGHT FINISH GRILLE	
	65X-003	CHROME HOOD MOUNTED AIR INTAKE GRILLE	
	640-008	GALVANEALD STEEL SEVERE SERVICE CAB	
	644-004	FIBERGLASS HOOD	
	727-012	DUAL HADLEY SD-978 26 INCH RECTANGULAR AIR HORNS	
	726-001	SINGLE ELECTRIC HORN	

Data Code	Description	Weight Front	Weight Rear
728-002	DUAL HORN SHIELDS		
657-1B2	ALL UNIT(S) KEYED ALIKE WITH CUSTOMER SPECIFIED KEY NUMBER D542		
575-001	REAR LICENSE PLATE MOUNT END OF FRAME		
312-031	SINGLE RECTANGULAR H4 HALOGEN HEADLIGHTS WITH BRIGHT BEZELS		
302-022	LED MARKER LAMPS		
311-001	DAYTIME RUNNING LIGHTS		
294-001	INTEGRAL STOP/TAIL/BACKUP LIGHTS		
300-015	STANDARD FRONT TURN SIGNAL LAMPS		
744-1DH	DUAL AERO BRIGHT FINISH HEATED DUAL AXIS 1-PIECE MOTORIZED MIRRORS WITH LIGHTS, LH AND RH REMOTE AND INTEGRAL CONVEX MIRRORS	20	
797-002	CAB MOUNTED MIRRORS		
796-001	102 INCH EQUIPMENT WIDTH		
743-1AX	DUAL BRIGHT FINISH HEATED CONVEX MIRRORS WITH MANUAL ADJUSTMENT AND DUAL AXIS FOR 1-PIECE PRIMARY MIRRORS		
74A-998	NO AUXILIARY MIRROR		
74B-1B4	RH AND LH 8 INCH HEATED STAINLESS STEEL FENDER MOUNTED CONVEX MIRRORS WITH TRIPOD BRACKETS	12	
729-001	STANDARD SIDE/REAR REFLECTORS		
787-020	ELECTRIC DOOR LOCKS, MECHANICAL KEY TUMBLER		
677-055	RH AFTERTREATMENT SYSTEM CAB ACCESS WITH POLISHED DIAMOND PLATE COVER		
764-002	STAINLESS STEEL EXTERIOR SUN VISOR	28	
768-046	17.5X35 INCH TINTED REAR WINDOW		
661-006	TINTED DOOR GLASS		
654-011	RH AND LH ELECTRIC POWERED WINDOWS	4	
663-002	2-PIECE ROPED-IN WINDSHIELD GASKET MOUNTED		
659-025	2 GALLON WINDSHIELD WASHER RESERVOIR WITHOUT FLUID LEVEL INDICATOR, MOUNTED UNDER CAB, WITH REMOTE FILL		

Cab Interior

707-1D4	SMOKY MOUNTAIN GRAY VINYL PREMIUM INTERIOR
70K-005	BLACK HARD TRIM
706-048	PREMIUM LEFT HAND DOOR TRIM WITH CHERRY ACCENT

Data Code	Description	Weight Front	Weight Rear
708-048	PREMIUM RIGHT HAND DOOR TRIM WITH CHERRY ACCENT		
772-007	BLACK MATS WITH DOUBLE INSULATION		
785-007	DASH MOUNTED ASH TRAY AND LIGHTER, DRIVER SIDE		
691-001	FORWARD ROOF MOUNTED CONSOLE		
693-025	LH AND RH DOOR MAP POCKETS		
741-015	(2) COAT HOOKS ON BACKWALL OF CAB		
738-005	DIGITAL OVERHEAD MOUNTED ALARM CLOCK		
742-026	(1) CUP HOLDER MOUNTED IN BOTTOM CENTER OF DASH		
680-034	TWO-TONE CHARCOAL UPPER/COOL GRAY LOWER SOFT TOUCH WING DASH WITH BLACK DRIVER SIDE COSMETIC UNDER DASH COVER		
720-003	5 LB. FIRE EXTINGUISHER	10	
700-023	HEATER, DEFROSTER AND AIR CONDITIONER WITH CONSTANT TEMPERATURE CONTROL AND COSMETIC COVER		
701-016	HVAC DUCTING WITH FOAM MAIN FRESH AIR FILTER		
703-005	MAIN HVAC CONTROLS WITH RECIRCULATION SWITCH		
170-015	STANDARD HEATER PLUMBING		
130-041	VALEO HEAVY DUTY A/C REFRIGERANT COMPRESSOR		
698-001	RADIATOR MOUNTED AIR CONDITIONER CONDENSER		
702-002	BINARY CONTROL, R-134A		
739-001	CAB INSULATION		
285-033	AUTOMATIC SELF-RESET CIRCUIT BREAKERS/FUSES IN DASH POWER DISTRIBUTION BOXES AND FUSES IN AUXILIARY POWER DISTRIBUTION BOXES		
324-076	DOOR ACTIVATED DOME LIGHT, UNDER DASH LIGHT WITH LH AND RH DOOR MOUNTED COURTESY LIGHTS AND LH AND RH READING LIGHTS		
655-005	LH AND RH ELECTRIC DOOR LOCKS		
722-028	TRIANGULAR REFLECTORS KIT WITHOUT FLARES SHIPPED LOOSE IN CAB	10	
756-1D9	PREMIUM HIGH BACK AIR SUSPENSION DRIVER SEAT WITH 3 CHAMBER AIR LUMBAR, INTEGRATED CUSHION EXTENSION, FORWARD AND REAR CUSHION TILT, ADJUSTABLE SHOCK ABSORBER	40	

	Data Code	Description	Weight Front	Weight Rear
N	760-294	BATTERY BOX MID BACK NON SUSPENSION PASSENGER SEAT		
	759-007	DUAL DRIVER SEAT ARMRESTS, NO PASSENGER SEAT ARMRESTS	4	
	758-014	BLACK CORDURA PLUS CLOTH DRIVER SEAT COVER		
	761-014	BLACK CORDURA PLUS CLOTH PASSENGER SEAT COVER		
	763-003	3 POINT DRIVER AND PASSENGER SEAT BELT RETRACTORS		
	532-002	ADJUSTABLE TILT AND TELESCOPING STEERING COLUMN		
N	540-044	4-SPOKE 18 INCH (450MM) BLACK STEERING WHEEL WITH SWITCHES		
	765-002	DRIVER AND PASSENGER INTERIOR SUN VISORS		

Instruments & Controls

	185-002	NON-ADJUSTABLE SUSPENDED PEDALS		
	106-002	ELECTRONIC ACCELERATOR CONTROL		
	870-005	STAR GAUGES WITH BRIGHT BEZELS		
	732-047	FIGURED CHERRY WOODGRAIN ULTRA GLOSS FINISH DRIVER INSTRUMENT PANEL		
	734-047	FIGURED CHERRY WOODGRAIN ULTRA GLOSS FINISH CENTER INSTRUMENT PANEL		
	486-001	LOW AIR PRESSURE INDICATOR LIGHT AND AUDIBLE ALARM		
	840-002	2 INCH PRIMARY AND SECONDARY AIR PRESSURE GAUGES		
	198-002	INTAKE MOUNTED AIR RESTRICTION INDICATOR WITH GRADUATIONS		
	721-001	97 DB BACKUP ALARM		3
	149-012	CRUISE CONTROL SWITCHES IN THE CENTER PANEL		
	156-007	KEY OPERATED IGNITION SWITCH AND INTEGRAL START POSITION; 4 POSITION OFF/RUN/START/ACCESSORY		
	811-001	WARNING LAMP/LIGHT BAR DISPLAY, NON-DATA LINKED		
	160-038	HEAVY DUTY ONBOARD DIAGNOSTICS INTERFACE CONNECTOR LOCATED BELOW LH DASH		
	844-001	2 INCH ELECTRIC FUEL GAUGE		
	845-011	FUEL FILTER RESTRICTION INDICATOR		
	148-085	EMISSIONS LIMITED IDLE ADJUST		

	Data Code	Description	Weight Front	Weight Rear
	44Y-001	CUSTOMER INTERFACE CONNECTOR LOCATED BETWEEN SEATS WITH CAPS		
	856-001	ELECTRICAL ENGINE COOLANT TEMPERATURE GAUGE		
	864-001	2 INCH TRANSMISSION OIL TEMPERATURE GAUGE		
N	867-004	ELECTRONIC OUTSIDE TEMPERATURE SENSOR DISPLAY IN DRIVER MESSAGE CENTER		
N	372-063	(1) DASH MOUNTED PTO SWITCH WITH INDICATOR LAMP FOR CUSTOMER INSTALLED PTO	10	
	852-002	ELECTRIC ENGINE OIL PRESSURE GAUGE		
	746-116	AM/FM/WB WORLD TUNER RADIO WITH SIRIUSXM, CD PLAYER, BLUETOOTH, IPOD INTERFACE AND USB AND AUXILIARY INPUTS, J1939	10	
	747-002	ROOF/OVERHEAD CONSOLE MOUNTED RADIO		
	750-004	(4) RADIO SPEAKERS IN CAB		
	753-021	AM/FM ANTENNA MOUNTED ON LH FRONT A-PILLAR	2	
	748-019	COBRA 29WX NW ST FACTORY INSTALLED CB RADIO WITH WEATHERBAND	5	
	752-017	MULTI-BAND AM/FM/WB/CB LH MIRROR MOUNTED ANTENNA SYSTEM		
	78C-003	INTEROPERABLE SDAR ANTENNA		
	810-042	ELECTRONIC MPH SPEEDOMETER WITH SECONDARY KPH SCALE, WITH ODOMETER		
	817-001	STANDARD VEHICLE SPEED SENSOR		
	812-003	ELECTRONIC 3000 RPM TACHOMETER WITH HOUR METER		
	813-1B4	VT-HU CONNECTIVITY PLATFORM HARDWARE		
	8D1-002	2 YEARS DETROIT CONNECT BASE PACKAGE (VIRTUAL TECHNICIAN, DETROIT CONNECT PORTAL ACCESS)FOR VT-HU CONNECTIVITY PLATFORM		
N	162-020	IDLE SHUTDOWN OVERRIDE, DDEC 5/6 AMBIENT AIR TEMPERATURE SENSOR		
N	329-004	FOUR EXTRA SWITCHES IN DASH		
N	4C1-017	HARDWIRE SWITCH #1, ON/OFF LATCHING, 30 AMPS IGNITION WIRED TO CUSTOMER INTERFACE CONNECTOR		
	4C2-003	HARDWIRE SWITCH #2, ON/OFF LATCHING, 10 AMPS BATTERY WIRED TO CUSTOMER INTERFACE CONNECTOR		

	Data Code	Description	Weight Front	Weight Rear
N	4C3-003	HARDWIRE SWITCH #3,ON/OFF LATCHING, 10 AMPS BATTERY WIRED TO CUSTOMER INTERFACE CONNECTOR		
N	4C4-003	HARDWIRE SWITCH #4,ON/OFF LATCHING, 10 AMPS BATTERY WIRED TO CUSTOMER INTERFACE CONNECTOR		
	836-001	2 INCH VOLTMETER		
	660-008	SINGLE ELECTRIC WINDSHIELD WIPER MOTOR WITH DELAY		
	304-043	CAB/TRAILER MARKER LIGHT SWITCH WITH SEPARATE HEADLIGHT SWITCH WITH HEADLIGHT/MARKER LIGHT INTERRUPTER SWITCHES ON STEERING WHEEL		
	882-009	ONE VALVE PARKING BRAKE SYSTEM WITH WARNING INDICATOR		
	299-032	VSM NON CANCELING TURN SIGNAL SWITCH WITH INTEGRAL HEADLAMP DIMMER WITHOUT BRAKE OVERRIDE		
	298-036	PACIFIC INSIGHT ELECTRONIC FLASHER		

Design

065-000 PAINT: ONE SOLID COLOR

Color

980-5F6 CAB COLOR A: L0006EY WHITE ELITE EY
96J-001 CAB INTERIOR PAINTED SAME AS CAB COLOR
986-020 BLACK, HIGH SOLIDS POLYURETHANE CHASSIS PAINT

Certification / Compliance

996-001 U.S. FMVSS CERTIFICATION, EXCEPT SALES CABS AND GLIDER KITS

Raw Performance Data

AE8-99D CALCULATED EFFECTIVE BACK OF CAB TO REAR SUSPENSION C/L (CA) : 144.13 in
AM6-99D CALC'D SPACE AVAILABLE FOR DECKPLATE : 146.78 in

Sales Programs

NO SALES PROGRAMS HAVE BEEN SELECTED

TOTAL VEHICLE SUMMARY

Weight Summary

	Weight Front	Weight Rear	Total Weight
Factory Weight ⁺	11131 lbs	9910 lbs	21041 lbs
Dealer Installed Options	0 lbs	0 lbs	0 lbs
Total Weight⁺	11131 lbs	9910 lbs	21041 lbs

Dealer Installed Options

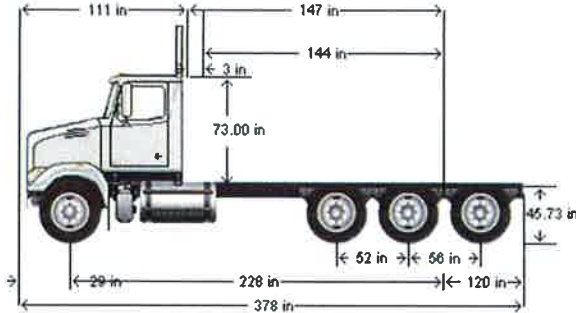
	Weight Front	Weight Rear
00001 DUMP BODY COMPLETE FHD174860	0	0
Total Dealer Installed Options	0 lbs	0 lbs

(+) Weights shown are estimates only.

If weight is critical, contact Customer Application Engineering.

(***) All cost increases for major components (Engines, Transmissions, Axles, Front and Rear Tires) and government mandated requirements, tariffs, and raw material surcharges will be passed through and added to factory invoices.

D I M E N S I O N S



VEHICLE SPECIFICATIONS SUMMARY - DIMENSIONS

Model.....	4700SF
Wheelbase (545).....	5800MM (228 INCH) WHEELBASE
Rear Frame Overhang (552).....	3050MM (120 INCH) REAR FRAME OVERHANG
Fifth Wheel (578)	NO FIFTH WHEEL
Mounting Location (577).....	NO FIFTH WHEEL LOCATION
Maximum Forward Position (in).....	0
Maximum Rearward Position (in).....	0
Amount of Slide Travel (in).....	0
Slide Increment (in).....	0
Desired Slide Position (in).....	0.0
Cab Size (829).....	110 INCH BBC STEEL CONVENTIONAL CAB
Sleeper (682).....	NO SLEEPER BOX/SLEEPER CAB
Exhaust System (016).....	RH OUTBOARD UNDER STEP MOUNTED HORIZONTAL AFTERTREATMENT SYSTEM ASSEMBLY WITH RH B-PILLAR MOUNTED VERTICAL TAILPIPE

TABLE SUMMARY - DIMENSIONS

Dimensions	Inches
Bumper to Back of Cab (BBC)	110.7
Bumper to Centerline of Front Axle (BA)	29.5
Min. Cab to Body Clearance (CB)	3.0
Back of Cab to Centerline of Rear Axle(s) (CA)	147.1
Effective Back of Cab to Centerline of Rear Axle(s) (Effective CA)	144.1
Back of Cab Protrusions (Exhaust/Intake) (CP)	2.0
Back of Cab Protrusions (Side Extenders/Trim Tab) (CP)	0.0
Back of Cab Protrusions (CNG Tank)	0.0
Back of Cab Clearance (CL)	3.0
Back of Cab to End of Frame	267.2
Cab Height (CH)	73.0
Wheelbase (WB)	228.3
Frame Overhang (OH)	120.1
Overall Length (OAL)	377.9
Rear Axle Spacing	56.0
Pusher/Tag Axle Spacing	52.0
Unladen Frame Height at Centerline of Rear Axle	45.7

Performance calculations are estimates only. If performance calculations are critical, please contact Customer Application Engineering.

GVWR

VEHICLE SPECIFICATIONS SUMMARY - GVWR

Model	4700SF
Cab Size (829)	110 INCH BBC STEEL CONVENTIONAL CAB
Expected Front Axle(s) Load (lbs)	18000.0
Expected Pusher Axle(s) Load (lbs)	14000.0
Expected Rear Axle(s) Load (lbs)	46000.0
Expected Tag Axle(s) Load (lbs)	0.0
Expected GVW (lbs)	78000
Expected GCW (lbs)	90000.0
Front Axle (400)	DETROIT DA-F-20.0-5 20,000# FL1 71.0 KPI/3.74 DROP SINGLE FRONT AXLE
Front Suspension (620)	20,000# TAPERLEAF FRONT SUSPENSION
Front Hubs (418)	CONMET PRESET PLUS PREMIUM IRON FRONT HUBS
Front Disc Wheels (502)	ALCOA LVL ONE 82462X 22.5X12.25 10-HUB PILOT 4.68 INSET 10-HAND ALUMINUM DISC FRONT WHEELS
Front Tires (093)	MICHELIN XZY-3 425/65R22.5 20 PLY RADIAL FRONT TIRES
Front Brakes (402)	MERITOR 16.5X6 Q+ CAST SPIDER CAM FRONT BRAKES, DOUBLE ANCHOR, FABRICATED SHOES
Steering Gear (536)	TRW THP-60 POWER STEERING WITH RCH45 AUXILIARY GEAR
Rear Axle (420)	RT-46-160 46,000# R-SERIES TANDEM REAR AXLE
Rear Suspension (622)	TUFTRAC 46,000# REAR SPRING SUSPENSION
Rear Hubs (450)	CONMET PRESET PLUS PREMIUM IRON REAR HUBS
Rear Disc Wheels (505)	ALCOA ULTRA ONE 98U63X 24.5X8.25 10-HUB PILOT ALUMINUM REAR WHEELS
Rear Tires (094)	MICHELIN XDA5+ 11R24.5 16 PLY RADIAL REAR TIRES
Rear Brakes (423)	MERITOR 16.5X8.62 Q+ CAST SPIDER CAM REAR BRAKES, DOUBLE ANCHOR, FABRICATED SHOES
Pusher / Tag Axle (443)	HENDRICKSON SC20/SCO20 20,000# FL1 STEERABLE 16.5X6 BRAKE INTEGRAL PUSHER AXLE
Pusher / Tag Suspension (626)	HENDRICKSON SC20 COMPOSILITE 20,000# STEERABLE AIR LIFT PUSHER SUSPENSION
Pusher / Tag Hubs (449)	CONMET PRESET PLUS PREMIUM IRON PUSHER/TAG HUBS
Pusher/Tag Disc Wheels (509)	ALCOA LVL ONE 82462X 22.5X12.25 10-HUB PILOT 4.68 INSET 10-HAND ALUMINUM DISC PUSHER/TAG WHEELS
Pusher / Tag Tires (095)	MICHELIN XZY-3 425/65R22.5 20 PLY RADIAL PUSHER/TAG TIRES
Pusher / Tag Brakes (456)	HENDRICKSON 16.5X6 CAST SPIDER CAM PUSHER/TAG BRAKES, DOUBLE ANCHOR, FABRICATED SHOES

TABLE SUMMARY - GVWR

	Front	Pusher	Rear 1	Rear 2
Axle Component Weight Ratings				
Axles	20000	20000	23000	23000
Suspension	20000	20000	23000	23000
Hubs	23000	23000	26000	26000
Brakes	21500	20000	24999	24999
Wheels	24600	24600	31400	31400
Tires	22800	22800	26440	26440
Power Steering	22000	N/A	N/A	N/A
GAWR (per axle)	20000	20000	23000	23000
GAWR (per axle system)	20000	20000		46000
Expected Load (per axle system)	18000	14000		46000
GVWR due to Frame	90000			
GVWR due to Transmission	300000			
Vehicle GVWR Summary				
Calculated GVWR	86000			
Expected GVWR	78000			
<i>All weights displayed in pounds</i>				

Performance calculations are estimates only. If performance calculations are critical, please contact Customer Application Engineering.

