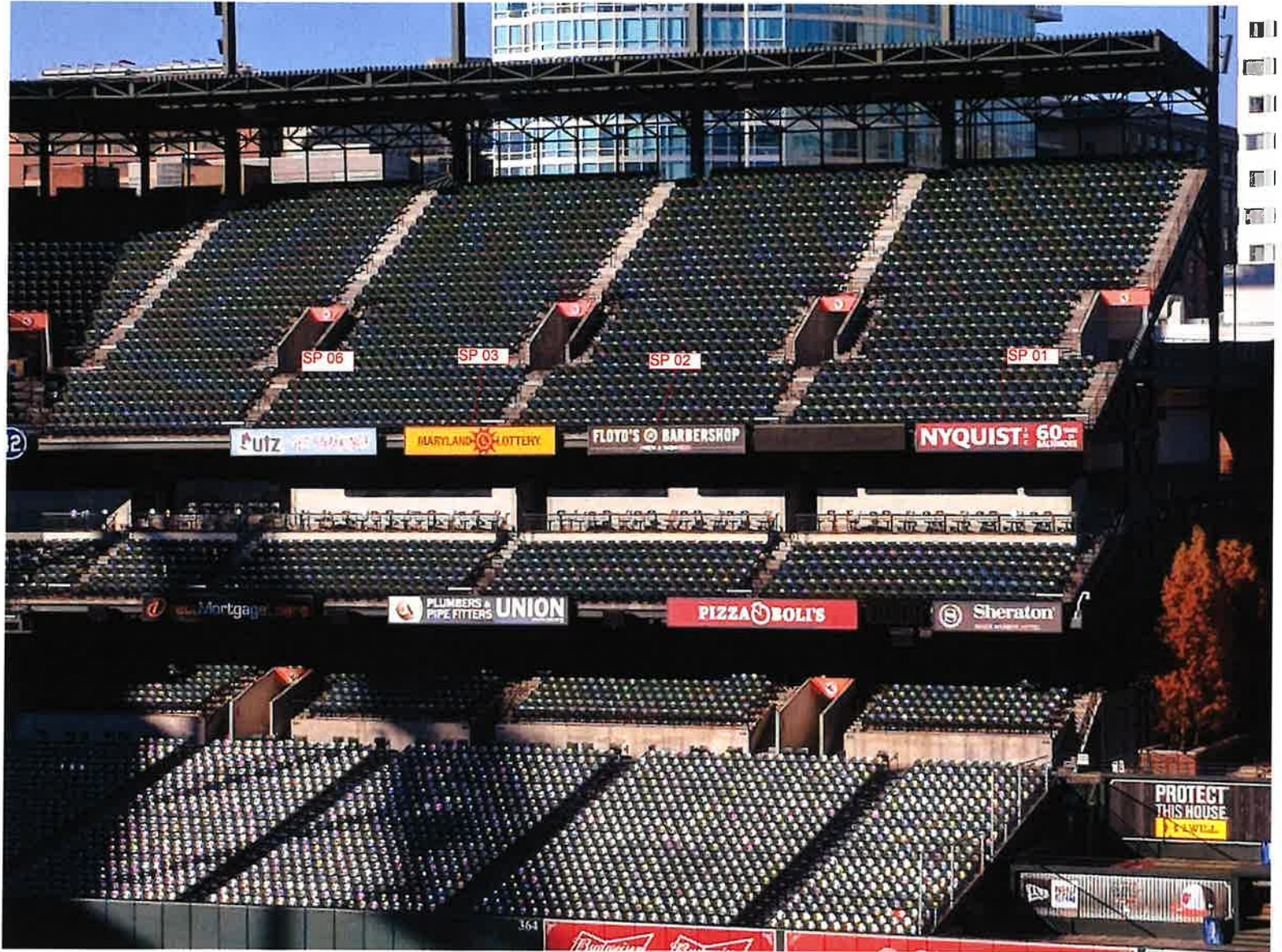
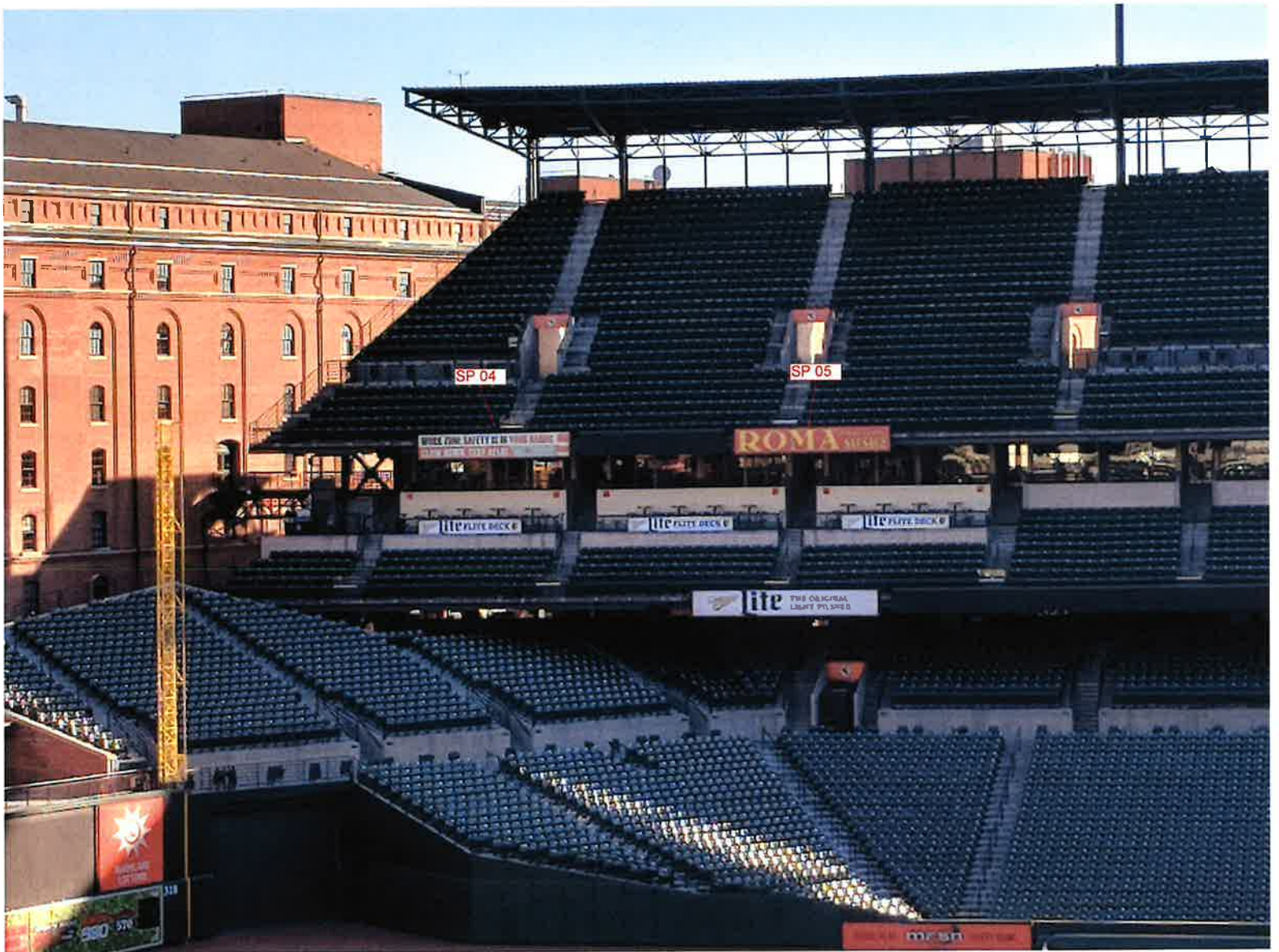
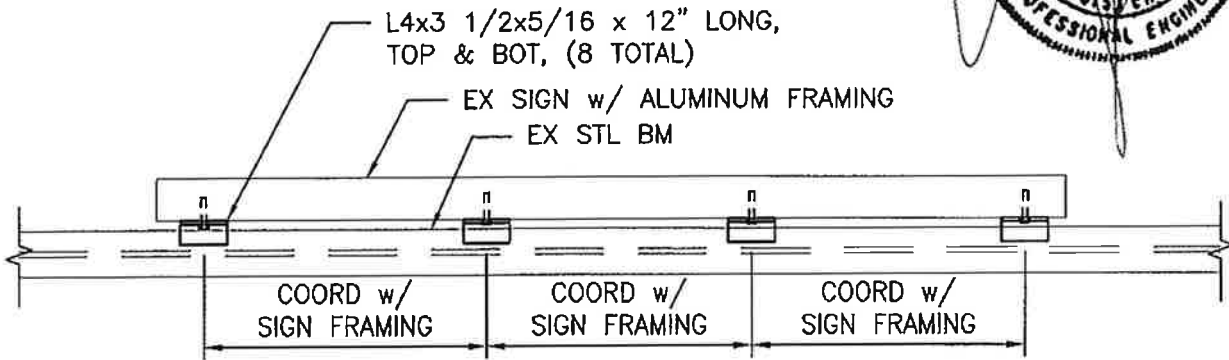


APPENDIX III – SK-1 DRAWING

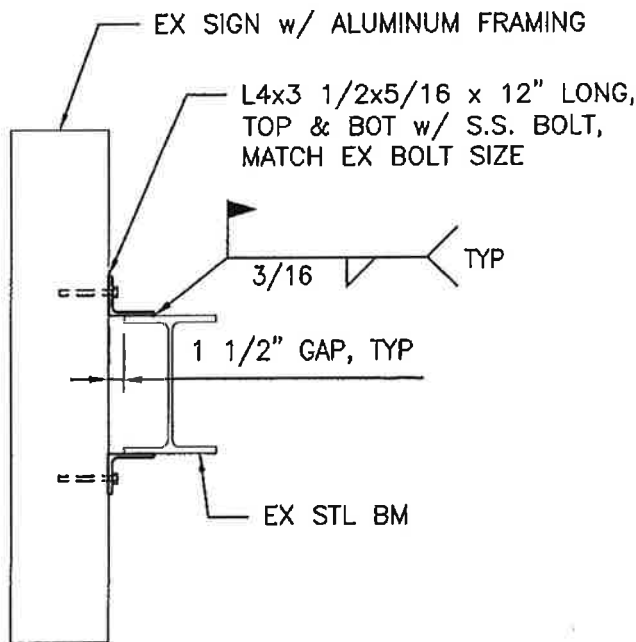






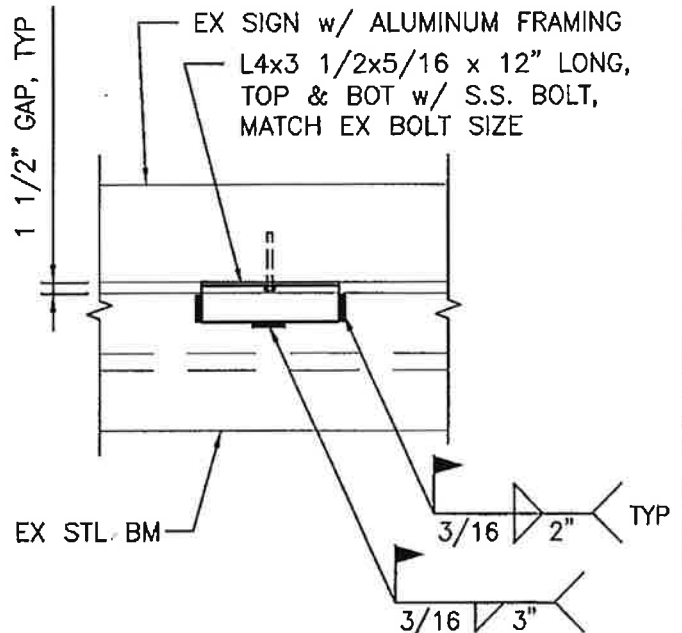
SIGN PLAN VIEW

NTS



SIGN SECTION VIEW

NTS



CONNECTION DETAIL VIEW

NTS



CARROLL ENGINEERING, INC.
216 SCHILLING CIRCLE
SUITE 102
HUNT VALLEY, MD 21031
(410) 785-7423 (410) 771-1813 FAX

**SIGN SUPPORT REPAIR
CAMDEN YARDS
BALTIMORE CITY, MD**

TYPICAL DETAILS

DRAWN BY: JEP	PROJECT NO. 1304.16.00
CHECKED BY: KMM	DRAWING NO. SK-1
SCALE: AS SHOWN	
DATE: 6-13-13	